

Sprayvectors

Spruzzatori



Ultra-Fine Controlled Spray

When you need ultra-fine droplet-sized sprays for evaporative cooling, moisturization, atomization and humidification, Sprayvectors are the answer. Using compressed air, these liquid atomizing devices create micron and sub-micron sized spray droplets for greater surface coverage than conventional nozzles.

Applications

Superior to hydraulic or piezoelectric nozzles, Sprayvectors accelerate air-liquid interaction and produce defined spray patterns that can be widely diffused or highly directed. These unique nozzles introduce low pressure (2-20 PSIG) liquids into large internal passages to eliminate clogging. Three models are available; Atomizing or Fogging styles deliver a dense, directable, high velocity spray for viscosities up to 1100 CPS, while the Humidifying model produces a very diffused, low velocity spray for viscosities up to 100 CPS. All styles feature a control knob for precise, fingertip adjustment of liquid flow rates. Water, chemicals, rust inhibitors, cleaners, solvents, preservatives, insecticides, lubricants and a wide diversity of other fluids can be dispensed.

Features and Benefits

- Adjustable for wide range of liquid flows
- Highly consistent spray pattern
- No clogging problems
- Handles wide viscosity range of 1 to 1100 CPS
- Uses no electricity
- Drip-less on/off action
- Removable nozzle tip for easy cleaning
- Interchangeable tip for varying applications

Uses

- Evaporative cooling
- Mist coating
- Moisturization
- Dust suppression
- Static neutralization
- Pressure spray cleaning
- Humidification
- Sanitizing or deodorizing
- Wetting
- Lubrication
- Atomizing
- Spray applications

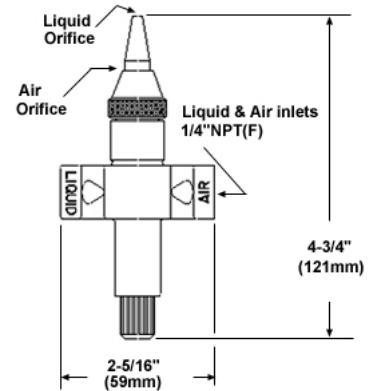
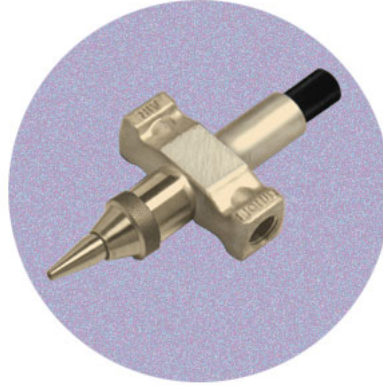


Sprayvectors (Fogging Humidifying Atomizing)

When you need ultra-fine droplet-sized sprays for evaporative cooling, moisturization, atomization and humidification, Sprayvectors are the answer.

1713: Atomizing Sprayvector

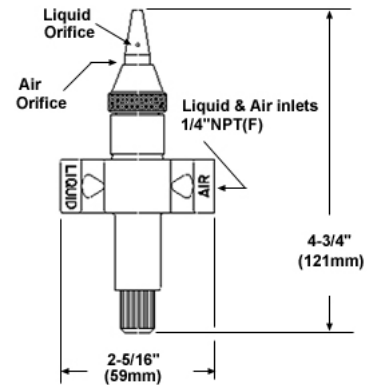
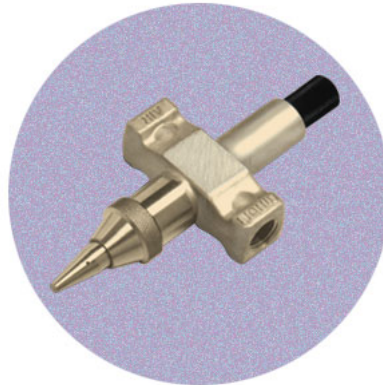
Test pressure: 100 psig (6.9 bars)
Airflow: 12 scfm (340 l/min)
Max flow rate: 1/2 gpm (1.89 l/min)
Air and liquid inlets NPT(F): 1/4 " (6.4 mm.)
Spray diameter: 127-762 mm.
Droplet diameter: 60-200 micron



1713-1: Atomizing Sprayvector Tip only

1703: Fogging Sprayvector

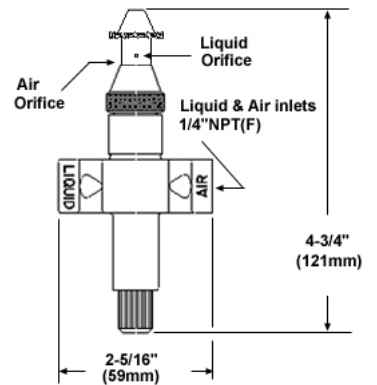
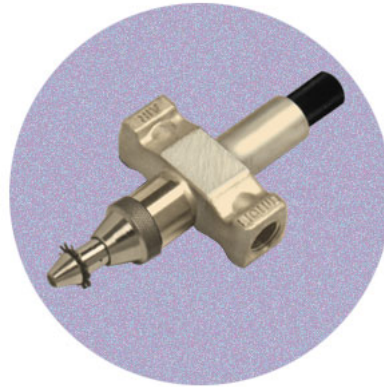
Test pressure: 100 psig (6.9 bars)
Airflow: 12 scfm (340 l/min)
Max flow rate: 1/2 gpm (1.89 l/min)
Air and liquid inlets NPT(F): 1/4 " (6.4 mm.)
Spray diameter: 127-762 mm.
Droplet diameter: 20-60 micron



1703-1: Fogging Sprayvector Tip only

1707: Humidifying Sprayvector

Test pressure: 100 psig (6.9 bars)
Airflow: 12 scfm (340 l/min)
Max flow rate: 1/4 gpm (0.95 l/min)
Air and liquid inlets NPT(F): 1/4 " (6.4 mm.)
Spray diameter: 761-2030 mm.
Droplet diameter: 60-200 micron



1707-1: Humidifying Sprayvector Tip only

1700: Sprayvector Experimental Kit

Air and liquid inlets NPT(F): 1/4 " (6.4 mm.)

H0727: Liquid Strainer (removable screen y-type)

