
Typhoon Blower Driven Airknife for Drying Bottles

Contents

1	Typhoon Blower Driven Airknife for Drying Bottles	2
1.1	Overview	2
1.2	Benefits	2
1.3	Applications	3
1.4	Uses	3
2	Models	4
2.1	Air Knives Typhoon in Aluminium with Electrical Resistance	4
3	Technical data	6

1 Typhoon Blower Driven Airknife for Drying Bottles

Air Knives Deliver Flat Sheet of Amplified Air

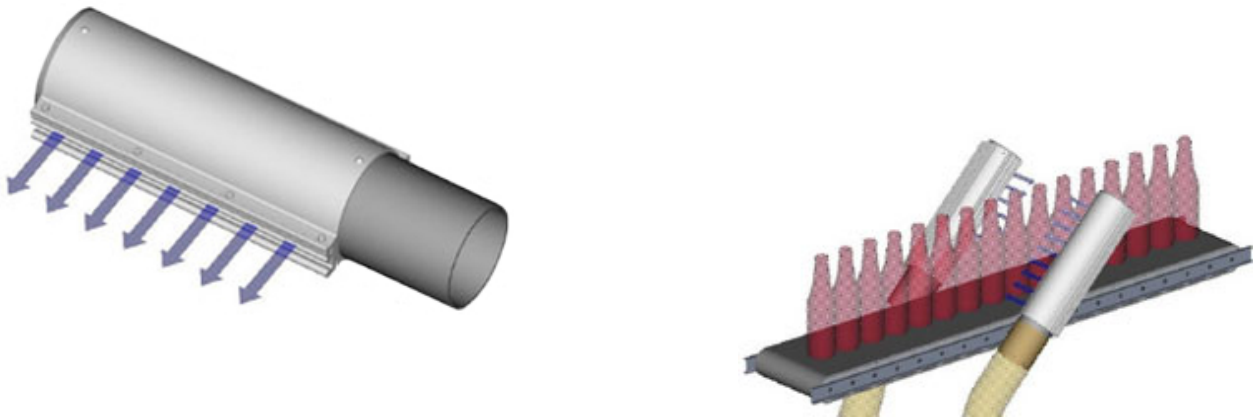
1.1 Overview

Our newly developed Blower Driven Airknife is ideal for drying bottles and cans and for condensate elimination before labelling.

By using blowers in stead of compressed air, the Blower Driven Airknife can reduce operational costs by 80%. The Blower Driven Airknife is constructed of double aluminum profile with adjustable air outlet up to 3 mm. and can be made to any required length, up to 4 m. in one piece. The Blower Driven Airknife can be delivered as Airknife only or as complete System, including side channel blower, ducting and supports.

Models with integrated electrical resistor of 2.000 or 3.000 Watts are available for adjustable air temperature from 70 to 120°C.

Higher pressure or speed can be reached with outlet regulation.



1.2 Benefits

- Clean, uniform, high-velocity, low-noise air stream
- Hot airknife with adjustable temperature
- Compact and easy installation
- Airknife only or complete system delivery
- Own design and production for maximum quality and performance

1.3 Applications

Our newly developed Blower Driven Airknife is ideal for a wide range of applications of drying bottles and cans and of condensate elimination before labelling.

1.4 Uses

- Bottles and cans drying and cleaning
- Condensate elimination before labelling
- Ceramics and plastic drying and cleaning
- Sawdust and powders clean up
- Machine cleaning

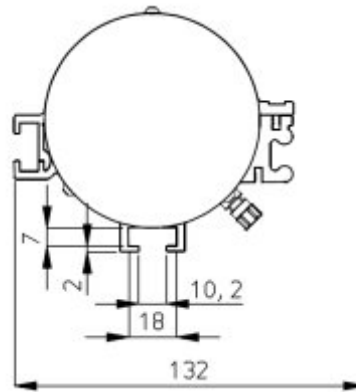
2 Models

2.1 Air Knives Typhoon in Aluminium with Electrical Resistance

Air Knives Typhoon in Aluminium with Electrical Resistance are equipped with an internal electrical resistance to provide a hot airflow to dry bottles

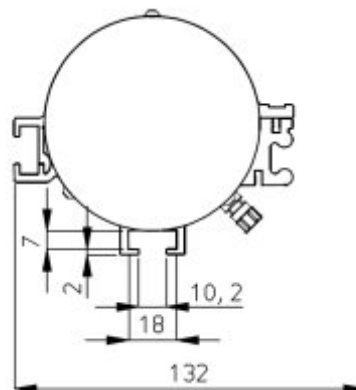
951-600-R: Air Knife with Electrical Resistance (600 mm)

Model	951-600-R
Material of Construction	Aluminium
Length, mm	600
Electrical resistance	Yes



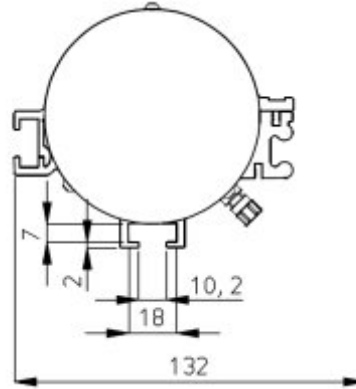
951-900-R: Air Knife with Electrical Resistance (900 mm)

Model	951-900-R
Material of Construction	Aluminium
Length, mm	900
Electrical resistance	Yes



951-1200-R: Air Knife with Electrical Resistance (1200 mm)

Model	951-1200-R
Material of Construction	Aluminium
Length, mm	1200
Electrical resistance	Yes



3 Technical data

Air Knives Typhoon in Aluminium with Electrical Resistance

Model	Material of Construction	Length, mm	Electrical resistance
951-600-R	Aluminium	600	Yes
951-900-R	Aluminium	900	Yes
951-1200-R	Aluminium	1200	Yes