

---

# Ionizing Curtain Transvector

## Contents

<b>1</b>	<b>Ionizing Curtain Transvector</b>	<b>2</b>
1.1	Overview . . . . .	2
1.2	Features . . . . .	2
1.3	Benefits . . . . .	3
1.4	Applications . . . . .	3
1.5	Uses . . . . .	3
<b>2</b>	<b>Models</b>	<b>4</b>
2.1	Ionizing Curtain Transvector . . . . .	4
2.2	Power Supplies for Ionizing Curtain Transvectors . . . . .	7
<b>3</b>	<b>Technical data</b>	<b>8</b>

# 1 Ionizing Curtain Transvector

Air Knives Deliver Flat Sheet of Amplified Air

## 1.1 Overview

Curtain Transvector Air Knives deliver a flat sheet of amplified air designed to efficiently blow off water and debris from wide surfaces, to provide high speed drying or cooling and to kill static, with an added static neutralizing bar on the Ionizing Curtain Transvector.

Ionizing Curtain Transvector Air Knives add a static neutralizing bar, to discharge static to clean surfaces of dust, shavings and debris more effectively. The static neutralizing bar generates positive and negative charged ions that are carried to the target in a uniform sheet of amplified air.



## 1.2 Features

- 25 times air amplification over compressed air input
- High performance, patented design gives high thrust
- Interchangeable shims enable air flow to be adjusted for the specific application
- Ionizing Air Knives available in lengths of 6, 12, 18 and 24 inches
- Single compressed air inlet up to 12 inch length; dual inlet on longer models
- Instant on/off
- No moving parts; no maintenance
- Quiet - meets OSHA noise specifications

---

## 1.3 Benefits

- More uniform blow off of large surfaces than nozzles or jets
- Dries surfaces quickly and thoroughly
- Costs significantly less than fans or blowers
- Inherently safe, with no guards or rotating equipment
- Reduced compressed air usage, versus open nozzles
- Easily controlled output
- Quiet ' meets OSHA requirements
- No electrical connections at the target site
- Easily mounted and moved
- Give a cleaner surface for painting or coating

## 1.4 Applications

Ionizing Curtain Transvector Air Knives kill the static build up that can attract dust and contaminants that ruin a painted or coated surface; and stop static discharges which can damage electronic equipment and shock personnel.

## 1.5 Uses

- Blow off of wood, laminates, metal sheets, moving webs, sheets, autobodies and large objects
- Surface cooling of metal, electronics, etc.
- Shrink wrapping
- Food processing
- Cooling molded parts and castings
- Weigh sorting of pharmaceuticals and other lightweight items
- Drying printing inks
- Creating air curtains
- Containment of fumes

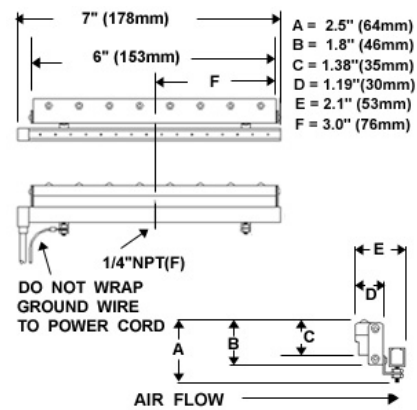
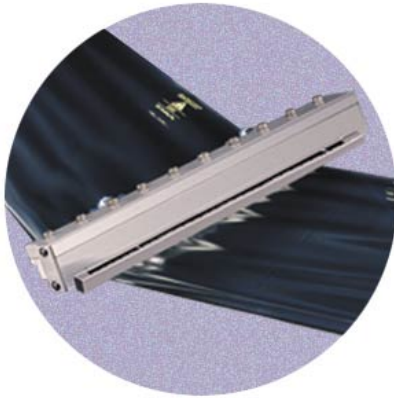
## 2 Models

### 2.1 Ionizing Curtain Transvector

Air Knives deliver flat sheet of amplified air to neutralize electrostatic charges

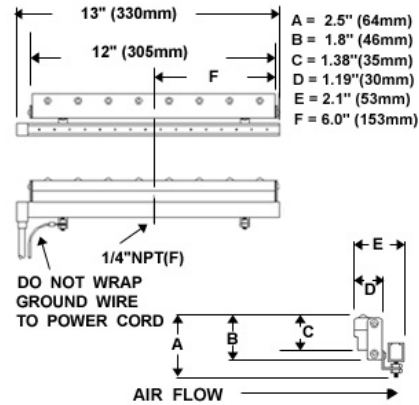
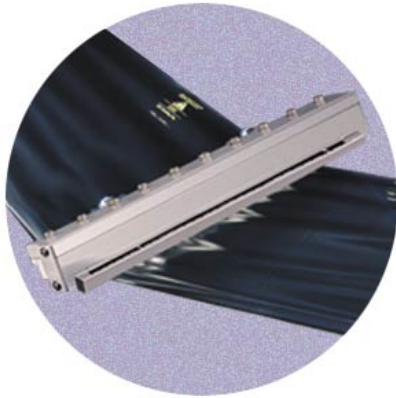
#### 981-6: Ionizing Curtain Transvector (152 mm)

Model	981-6
Material of Construction	Aluminium
Length, mm	152
Ionizing	Yes
Number of Air Inlets	1



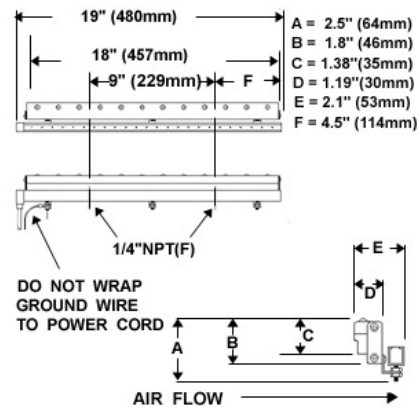
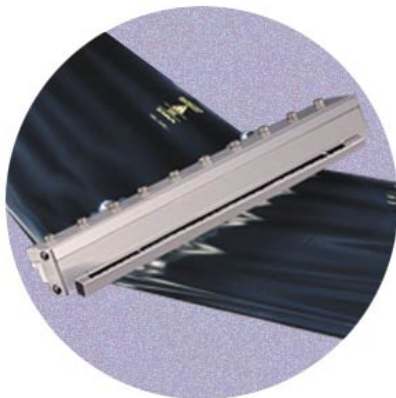
**981-12: Ionizing Curtain Transvector (305 mm)**

Model	981-12
Material of Construction	Aluminium
Length, mm	305
Ionizing	Yes
Number of Air Inlets	1



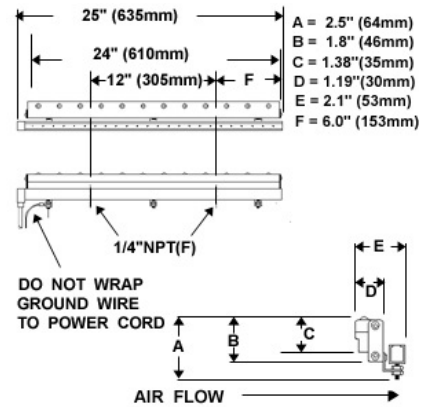
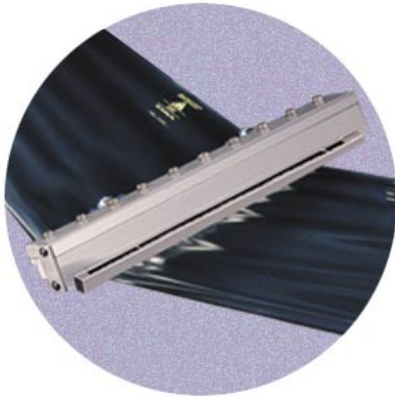
**981-18: Ionizing Curtain Transvector (457 mm)**

Model	981-18
Material of Construction	Aluminium
Length, mm	457
Ionizing	Yes
Number of Air Inlets	2



**981-24: Ionizing Curtain Transvector (610 mm)**

Model	981-24
Material of Construction	Aluminium
Length, mm	610
Ionizing	Yes
Number of Air Inlets	2

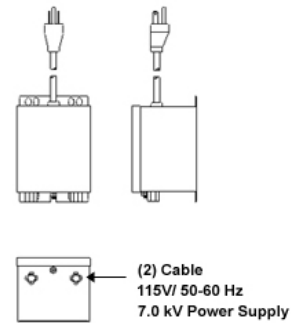


## 2.2 Power Supplies for Ionizing Curtain Transvectors

Power Supplies for Ionizing Curtain Transvectors charge the air knives to neutralize electrostatic charges

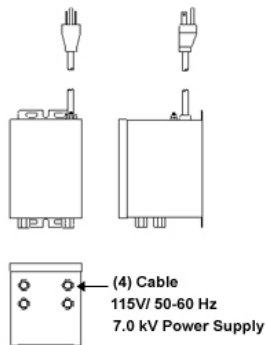
### F167: 2 cable Power Supply (AC 7.0 kV)

Model	F167
Number of Outputs	2



### D167RY: 4 cable Power Supply (AC 7.0 kV)

Model	D167RY
Number of Outputs	4



### 3 Technical data

#### Ionizing Curtain Transvector

Model	Material of Construction	Length, mm	Ionizing	Number of Air Inlets
981-6	Aluminium	152	Yes	1
981-12	Aluminium	305	Yes	1
981-18	Aluminium	457	Yes	2
981-24	Aluminium	610	Yes	2

#### Power Supplies for Ionizing Curtain Transvectors

Model	Number of Outputs
F167	2
D167RY	4