

---

# Adjustable Typhoon Blower Driven Airknife

## Contents

<b>1 Adjustable Typhoon Blower Driven Airknife</b>	<b>2</b>
1.1 Overview . . . . .	2
1.2 Benefits . . . . .	2
1.3 Applications . . . . .	3
1.4 Uses . . . . .	3
<b>2 Models</b>	<b>4</b>
2.1 Blower Driven Air Knives Typhoon . . . . .	4
<b>3 Technical data</b>	<b>10</b>

# 1 Adjustable Typhoon Blower Driven Airknife

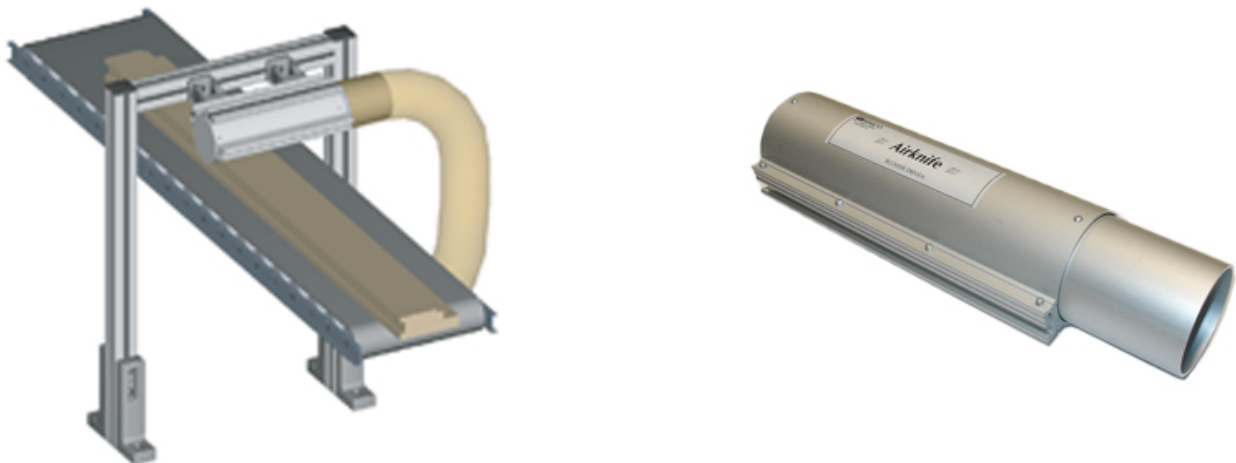
Air Knives Deliver Flat Sheet of Amplified Air

## 1.1 Overview

The Blower Driven Airknife has the same functions as the Curtain Transvector. However, by using blowers in stead of compressed air, it can reduce operational costs over 90%. The Typhoon Blower Driven Airknife is made of an extruded aluminium section with an adjustable air outlet, and it's available in length up to 4 meters.

It can be provided as an Airknife only, or as a complete system with blower (side channel or centrifugal blower), ducting and supports.

Available outlet from 0.2 to 5 mm for air pressures of up to 200 mbar and with air-speeds of 200 m/s. Higher pressure or speed can be reached with outlet regulation.



## 1.2 Benefits

- Clean, uniform, high-velocity, low-noise air stream Anodized finish for corrosion protection
- Up to 2500mm with air inlet on one side
- Connection for pressure gauge
- Brackets available for compact and easy installation
- Airknife only or complete system delivery
- Own design and production for maximum quality and performance

### 1.3 Applications

Our newly developed Blower Driven Airknife is ideal for a wide range of cleaning, drying and cooling applications.

The Blower Driven Airknife can be used for drying or cleaning bottles, cans and crates, plastic parts, sheet and strip, textiles or to blowaway chips, shavings and dust in metal and wood-working machines. Or to remove debris from larger operations, surfaces or objects.

### 1.4 Uses

- Dry and clean bottles and cans
- Dry and clean ceramics and plastic
- Dry glass machines

## 2 Models

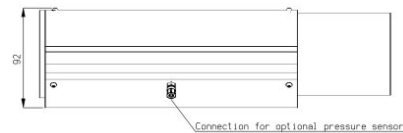
### 2.1 Blower Driven Air Knives Typhoon

Blower Driven Air Knives Typhoon use an electrical blower instead of compressed air for continuous operations to reduce air consumption and costs.

Available other measures on request.

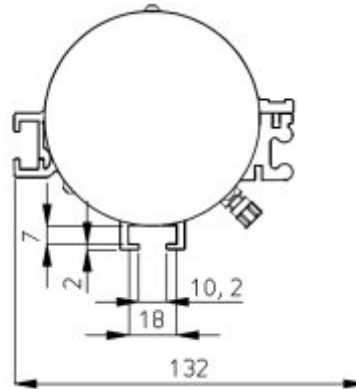
#### 951-200: Air Knife (200 mm)

Model	951-200
Material of Construction	Aluminium
Length, mm	200
Electrical resistance	No

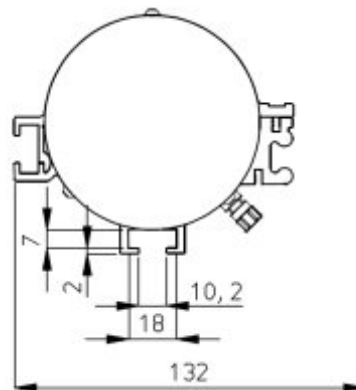


**951-300: Air Knife (300 mm)**

Model	951-300
Material of Construction	Aluminium
Length, mm	300
Electrical resistance	No

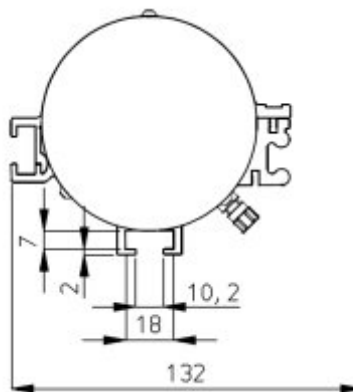
**951-450: Air Knife (450 mm)**

Model	951-450
Material of Construction	Aluminium
Length, mm	450
Electrical resistance	No

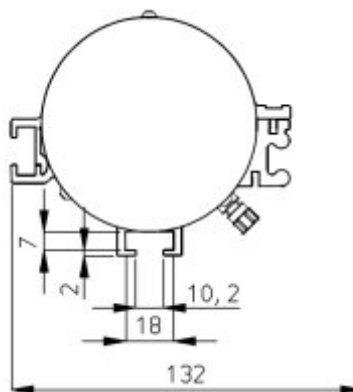


**951-600: Air Knife (600 mm)**

Model	951-600
Material of Construction	Aluminium
Length, mm	600
Electrical resistance	No

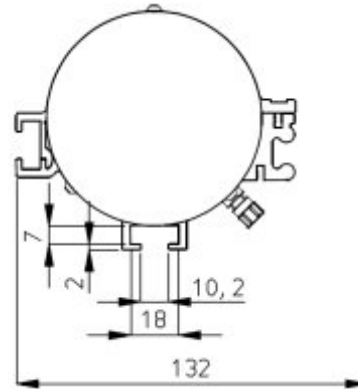
**951-900: Air Knife (900 mm)**

Model	951-900
Material of Construction	Aluminium
Length, mm	900
Electrical resistance	No

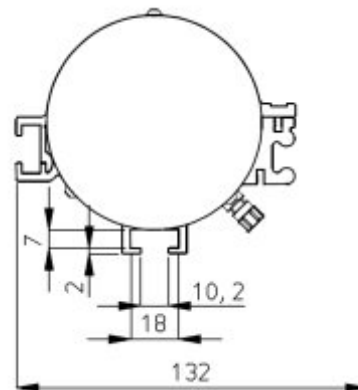


**951-1200: Air Knife (1200 mm)**

Model	951-1200
Material of Construction	Aluminium
Length, mm	1200
Electrical resistance	No

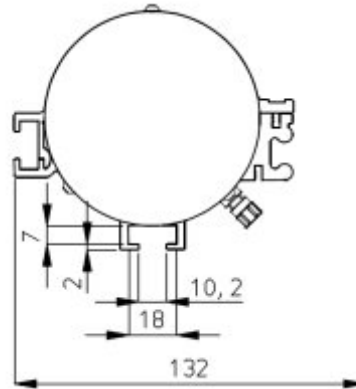
**951-1500: Air Knife (1500 mm)**

Model	951-1500
Material of Construction	Aluminium
Length, mm	1500
Electrical resistance	No

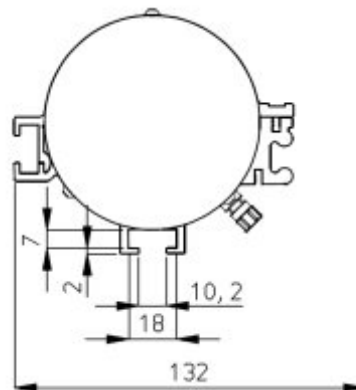


**951-2000: Air Knife (2000 mm)**

Model	951-2000
Material of Construction	Aluminium
Length, mm	2000
Electrical resistance	No

**951-2500: Air Knife (2500 mm)**

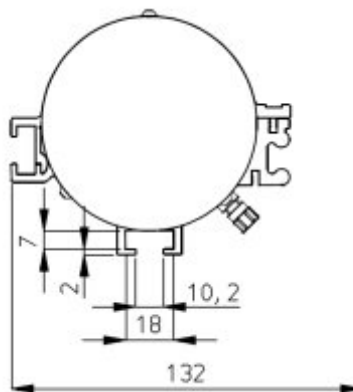
Model	951-2500
Material of Construction	Aluminium
Length, mm	2500
Electrical resistance	No



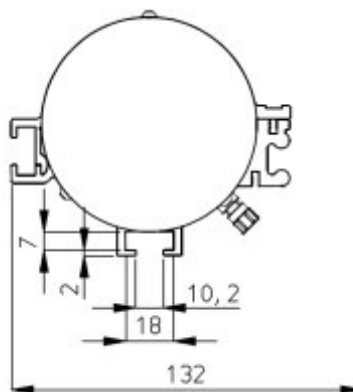


**951-2750: Air Knife (2750 mm)**

Model	951-2750
Material of Construction	Aluminium
Length, mm	2750
Electrical resistance	No

**951-3000: Air Knife (3000 mm)**

Model	951-3000
Material of Construction	Aluminium
Length, mm	3000
Electrical resistance	No



### 3 Technical data

#### Blower Driven Air Knives Typhoon

Model	Material of Construction	Length, mm	Electrical resistance
951-200	Aluminium	200	No
951-300	Aluminium	300	No
951-450	Aluminium	450	No
951-600	Aluminium	600	No
951-900	Aluminium	900	No
951-1200	Aluminium	1200	No
951-1500	Aluminium	1500	No
951-2000	Aluminium	2000	No
951-2500	Aluminium	2500	No
951-2750	Aluminium	2750	No
951-3000	Aluminium	3000	No