
Vortex Cooler Enclosure Coolers

Contents

1	Vortex Cooler Enclosure Coolers	2
1.1	Overview	2
1.2	Features	2
1.3	Benefits	2
1.4	Applications	3
1.5	Uses	3
2	Models	4
2.1	Nema 12 Vortex Coolers (IP54)	4
2.2	Nema 4 Vortex Coolers (IP56)	10
2.3	Nema 4X Stainless Steel Vortex Coolers (IP56X)	15
2.4	Nema 4 Vortex Coolers (IP56) with Mechanical Thermostat	20
3	Technical data	22

1 Vortex Cooler Enclosure Coolers

Using filtered compressed air, keep electrical enclosures cool, clean and protected

1.1 Overview

Enclosure Coolers keep Electrical and Electronic Enclosures cool, clean and protected and are a low cost alternative to expensive, high maintenance air conditioners; and avoid contamination with dirty, humid air caused by fans.

Standard Vortex Enclosure Coolers are available NEMA 12, NEMA 4 and NEMA 4X versions, and can be purchased with an electric thermostat or without a thermostat (constant run). The electric thermostat model maintains tight control on the temperature setpoint of ± 3 deg F. Vortex Enclosure Coolers are available in cooling capacities ranging from 400 BTU/hr to 5000 BTU/hr.



1.2 Features

- Small footprint to fit on all enclosures and in confined areas
- Electrical thermostat models can be set to desired temperature ± 3 deg F
- Supplied with air filter and ducting kit
- Maintains slight pressurization in the enclosure

1.3 Benefits

- Thermostatically controlled models maintain enclosure temperatures within ideal range

- Highly reliable, with full 10 year warranty
- No ambient, dirty or humid air enters the cabinet
- Can be used on all cabinets, even in tight spaces
- No wiring required to install most models
- Operates in environments up to 175 deg F
- Low cost, compared to Freon air conditioners
- Thermostatically controlled models reduce operating cost
- Multiple cooling capacities available, to optimize performance and operating cost
- Little maintenance required, as compared to Freon A/C and fans
- Use no refrigerants

1.4 Applications

Today's small, compact multi-function electronic controls, variable speed drives, servos and programmable logic controllers are extremely sensitive to heat and contamination. Smaller cabinet sizes make temperature control difficult and prone to premature failures. Excessive heat will cause digital displays to misread, controls to drift, and breakers to trip below rated loads. The result is productivity lost due to machine or line shutdowns.

Vortex Enclosure Coolers maintain a slight pressurization in the cabinet to keep electrical and electronic components clean and dry; and most are thermostatically controlled to maintain enclosure temperatures within a specified temperature range.

1.5 Uses

- Keep electrical enclosures cool, clean and protected

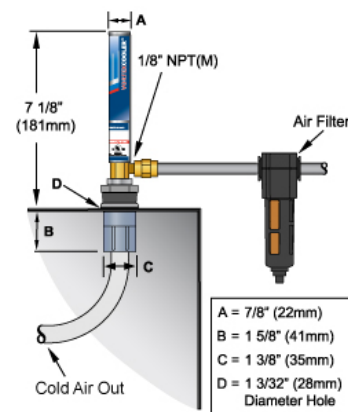
2 Models

2.1 Nema 12 Vortex Coolers (IP54)

Provide NEMA 12 protection (dust tight, drip tight) for indoor electronic and electrical cabinets. Thermostat Control or Continuous Operation Systems available.

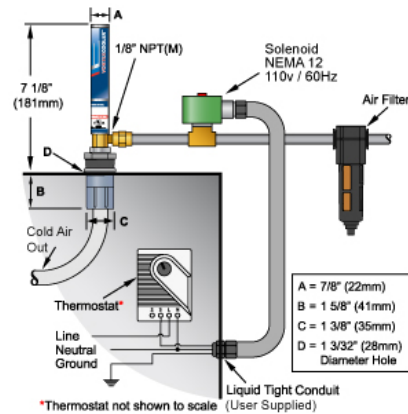
711BSP: Vortex Cooler System (Continuous Operation) (400 BTU/h)

Model	711BSP
Rating	NEMA 12
Thermostat Option	On request
Cooling Capacity, BTU/hr	400
Inlet, inch	1/8 F BSP (GAS)
Air Consumption @ 100 psig (1/min)	227

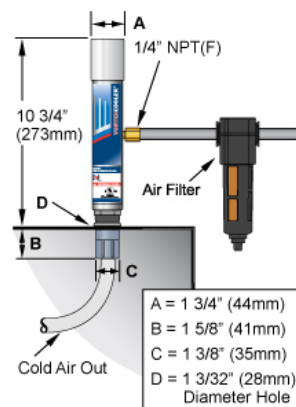


711BSP-T: Vortex Cooler System (Thermostat Control) (400 BTU/h)

Model	711BSP-T
Rating	NEMA 12
Thermostat Option	Electric
Cooling Capacity, BTU/hr	400
Inlet, inch	1/8 F BSP (GAS)
Air Consumption @ 100 psig (l/min)	227

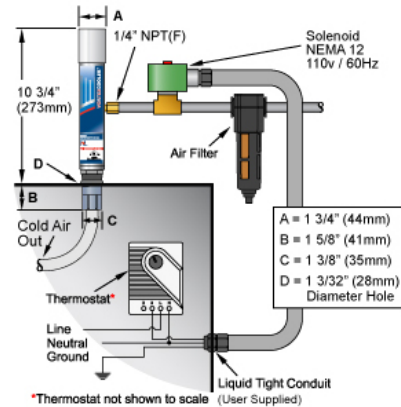
**721BSP-15H: Vortex Cooler System (Continuous Operation) (900 BTU/h)**

Model	721BSP-15H
Rating	NEMA 12
Thermostat Option	On request
Cooling Capacity, BTU/hr	900
Inlet, inch	1/4 F BSP (GAS)
Air Consumption @ 100 psig (l/min)	425

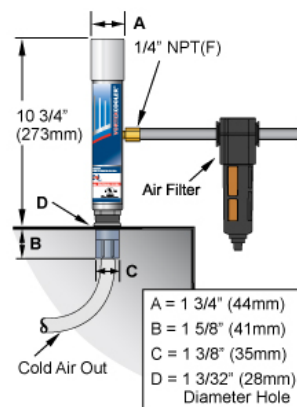


721BSP-15H-T: Vortex Cooler System (Thermostat Control) (900 BTU/h)

Model	721BSP-15H-T
Rating	NEMA 12
Thermostat Option	Electric
Cooling Capacity, BTU/hr	900
Inlet, inch	1/4 F BSP (GAS)
Air Consumption @ 100 psig (l/min)	425

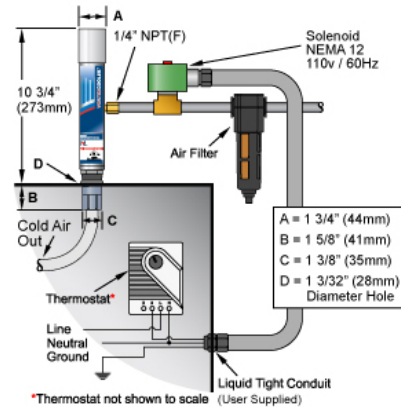
**721BSP-25H: Vortex Cooler System (Continuous Operation) (1500 BTU/h)**

Model	721BSP-25H
Rating	NEMA 12
Thermostat Option	On request
Cooling Capacity, BTU/hr	1500
Inlet, inch	1/4 F BSP (GAS)
Air Consumption @ 100 psig (l/min)	708

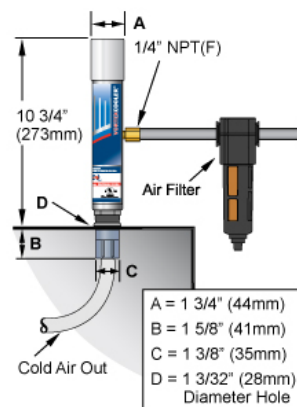


721BSP-25H-T: Vortex Cooler System (Thermostat Control) (1500 BTU/h)

Model	721BSP-25H-T
Rating	NEMA 12
Thermostat Option	Electric
Cooling Capacity, BTU/hr	1500
Inlet, inch	1/4 F BSP (GAS)
Air Consumption @ 100 psig (l/min)	708

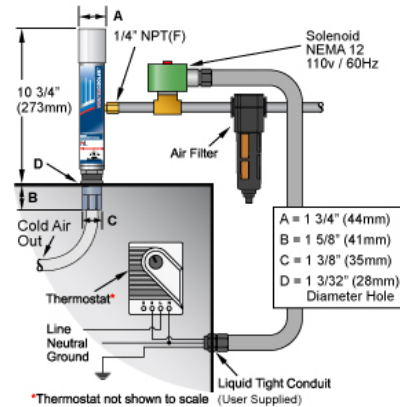
**721BSP-35H: Vortex Cooler System (Continuous Operation) (2500 BTU/h)**

Model	721BSP-35H
Rating	NEMA 12
Thermostat Option	On request
Cooling Capacity, BTU/hr	2500
Inlet, inch	1/4 F BSP (GAS)
Air Consumption @ 100 psig (l/min)	991

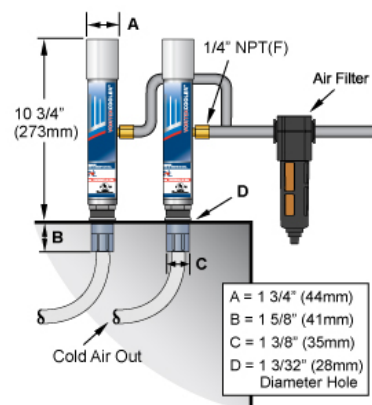


721BSP-35H-T: Vortex Cooler System (Thermostat Control) (2500 BTU/h)

Model	721BSP-35H-T
Rating	NEMA 12
Thermostat Option	Electric
Cooling Capacity, BTU/hr	2500
Inlet, inch	1/4 F BSP (GAS)
Air Consumption @ 100 psig (l/min)	991

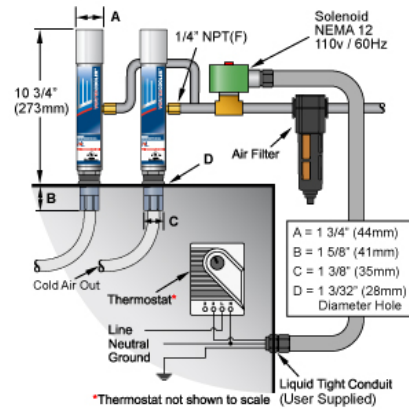
**7870BSP: Dual Vortex Cooler System (Continuous Operation) (5000 BTU/h)**

Model	7870BSP
Rating	NEMA 12
Thermostat Option	On request
Cooling Capacity, BTU/hr	5000
Inlet, inch	1/4 F BSP (GAS)
Air Consumption @ 100 psig (l/min)	1981



7970BSP: Dual Vortex Cooler System (Thermostat Control) (5000 BTU/h)

Model	7970BSP
Rating	NEMA 12
Thermostat Option	Electric
Cooling Capacity, BTU/hr	5000
Inlet, inch	1/4 F BSP (GAS)
Air Consumption @ 100 psig (1/min)	1981

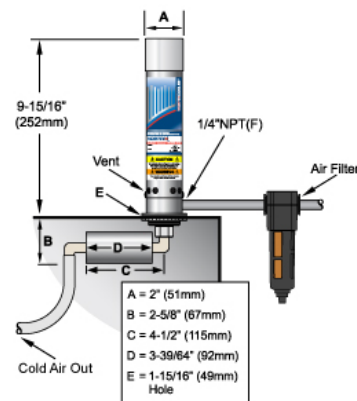


2.2 Nema 4 Vortex Coolers (IP56)

Provide NEMA 4 protection (Weatherproof, washdown) for outdoor or indoor electronic and electrical cabinets. Thermostat Control or Continuous Operation Systems available.

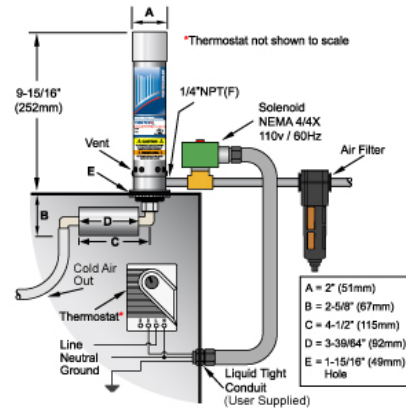
727BSP-15H: Vortex Cooler System (Continuous Operation) (900 BTU/h)

Model	727BSP-15H
Rating	NEMA 4
Thermostat Option	On request
Cooling Capacity, BTU/hr	900
Inlet, inch	1/4 F BSP (GAS)
Air Consumption @ 100 psig (l/min)	425



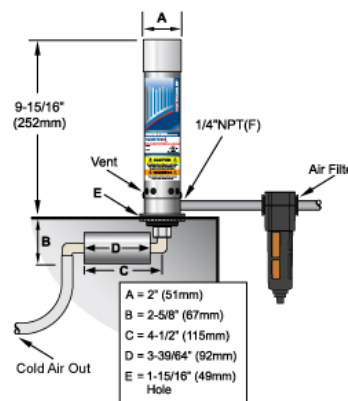
727BSP-15H-T: Vortex Cooler System (Thermostat Control) (900 BTU/h)

Model	727BSP-15H-T
Rating	NEMA 4
Thermostat Option	Electric
Cooling Capacity, BTU/hr	900
Inlet, inch	1/4 F BSP (GAS)
Air Consumption @ 100 psig (l/min)	425



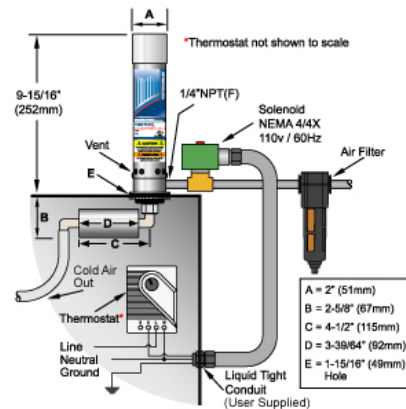
727BSP-25H: Vortex Cooler System (Continuous Operation) (1700 BTU/h)

Model	727BSP-25H
Rating	NEMA 4
Thermostat Option	On request
Cooling Capacity, BTU/hr	1700
Inlet, inch	1/4 F BSP (GAS)
Air Consumption @ 100 psig (l/min)	708



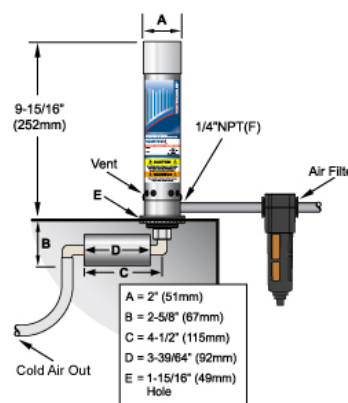
727BSP-25H-T: Vortex Cooler System (Thermostat Control) (1700 BTU/h)

Model	727BSP-25H-T
Rating	NEMA 4
Thermostat Option	Electric
Cooling Capacity, BTU/hr	1700
Inlet, inch	1/4 F BSP (GAS)
Air Consumption @ 100 psig (l/min)	708



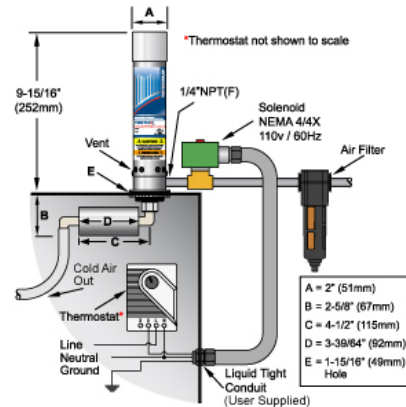
727BSP-35H: Vortex Cooler System (Continuous Operation) (2500 BTU/h)

Model	727BSP-35H
Rating	NEMA 4
Thermostat Option	On request
Cooling Capacity, BTU/hr	2500
Inlet, inch	1/4 F BSP (GAS)
Air Consumption @ 100 psig (l/min)	991



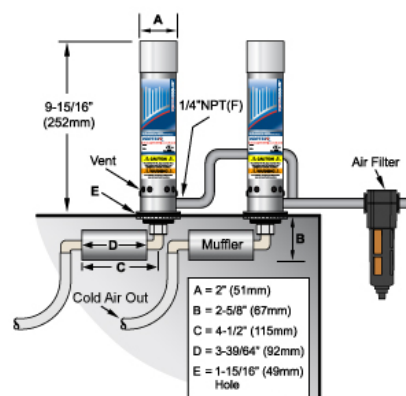
727BSP-35H-T: Vortex Cooler System (Thermostat Control) (2500 BTU/h)

Model	727BSP-35H-T
Rating	NEMA 4
Thermostat Option	Electric
Cooling Capacity, BTU/hr	2500
Inlet, inch	1/4 F BSP (GAS)
Air Consumption @ 100 psig (l/min)	991



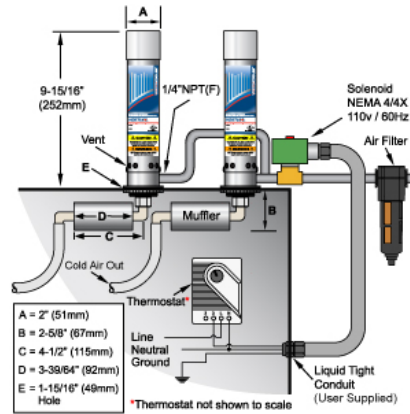
7875BSP: Dual Vortex Cooler System (Continuous operation) (5000 BTU/h)

Model	7875BSP
Rating	NEMA 4
Thermostat Option	On request
Cooling Capacity, BTU/hr	5000
Inlet, inch	1/4 F BSP (GAS)
Air Consumption @ 100 psig (l/min)	1981



7975BSP: Dual Vortex Cooler System (Thermostat Control) (5000 BTU/h)

Model	7975BSP
Rating	NEMA 4
Thermostat Option	Electric
Cooling Capacity, BTU/hr	5000
Inlet, inch	1/4 F BSP (GAS)
Air Consumption @ 100 psig (1/min)	1981

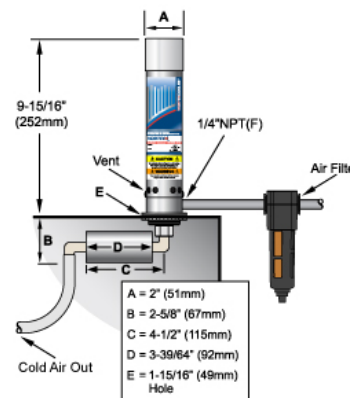


2.3 Nema 4X Stainless Steel Vortex Coolers (IP56X)

Provide NEMA 4X protection (weatherproof, washdown, corrosion resistant) for outdoor or indoor electronic and electrical cabinets. Thermostat Control or Continuous Operation Systems available.

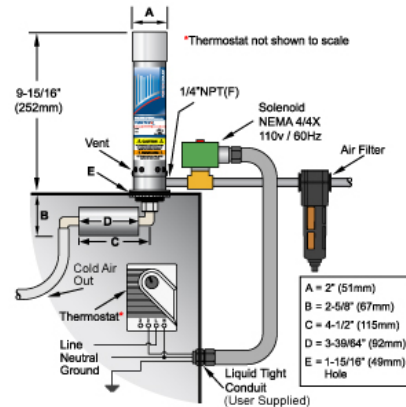
727SSBSP-15H: Vortex Cooler System (Continuous Operation) (900 BTU/h)

Model	727SSBSP-15H
Rating	NEMA 4X
Thermostat Option	On request
Cooling Capacity, BTU/hr	900
Inlet, inch	1/4 F BSP (GAS)
Air Consumption @ 100 psig (l/min)	425



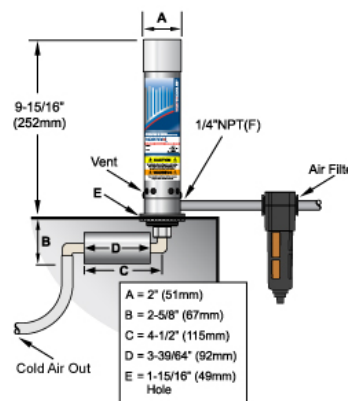
727SSBSP-15H-T: Vortex Cooler System (Thermostat Control) (900 BTU/h)

Model	727SSBSP-15H-T
Rating	NEMA 4X
Thermostat Option	Electric
Cooling Capacity, BTU/hr	900
Inlet, inch	1/4 F BSP (GAS)
Air Consumption @ 100 psig (l/min)	425



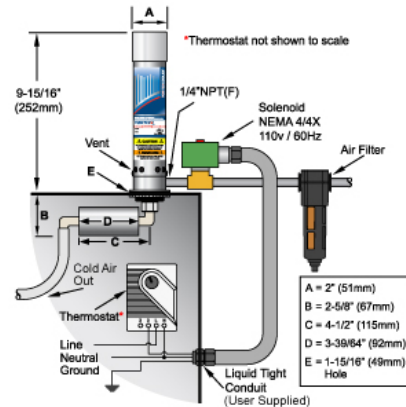
727SSBSP-25H: Vortex Cooler System (Continuous Operation) (1700 BTU/h)

Model	727SSBSP-25H
Rating	NEMA 4X
Thermostat Option	On request
Cooling Capacity, BTU/hr	1700
Inlet, inch	1/4 F BSP (GAS)
Air Consumption @ 100 psig (l/min)	708



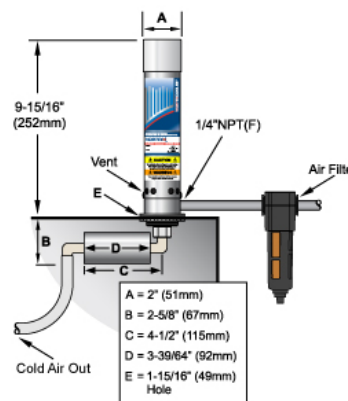
727SSBSP-25H-T: Vortex Cooler System (Thermostat Control) (1700 BTU/h)

Model	727SSBSP-25H-T
Rating	NEMA 4X
Thermostat Option	Electric
Cooling Capacity, BTU/hr	1700
Inlet, inch	1/4 F BSP (GAS)
Air Consumption @ 100 psig (l/min)	708



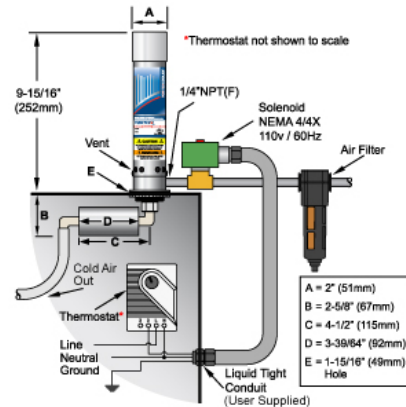
727SSBSP-35H: Vortex Cooler System (Continuous Operation) (2500 BTU/h)

Model	727SSBSP-35H
Rating	NEMA 4X
Thermostat Option	On request
Cooling Capacity, BTU/hr	2500
Inlet, inch	1/4 F BSP (GAS)
Air Consumption @ 100 psig (l/min)	991



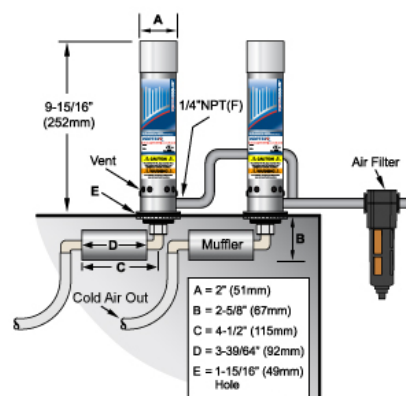
727SSBSP-35H-T: Vortex Cooler System (Thermostat Control) (2500 BTU/h)

Model	727SSBSP-35H-T
Rating	NEMA 4X
Thermostat Option	Electric
Cooling Capacity, BTU/hr	2500
Inlet, inch	1/4 F BSP (GAS)
Air Consumption @ 100 psig (l/min)	991



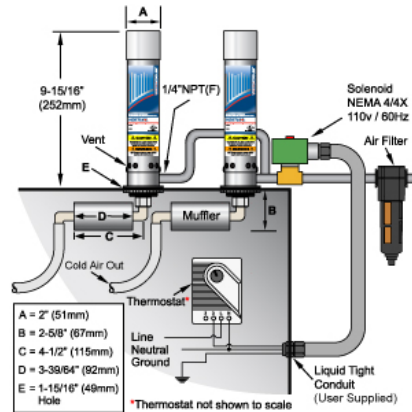
7875SSBSP: Dual Vortex Cooler System (Continuous Operation) (5000 BTU/h)

Model	7875SSBSP
Rating	NEMA 4X
Thermostat Option	On request
Cooling Capacity, BTU/hr	5000
Inlet, inch	1/4 F BSP (GAS)
Air Consumption @ 100 psig (l/min)	1981



7975SSBSP: Dual Vortex Cooler System (Thermostat Control) (5000 BTU/h)

Model	7975SSBSP
Rating	NEMA 4X
Thermostat Option	Electric
Cooling Capacity, BTU/hr	5000
Inlet, inch	1/4 F BSP (GAS)
Air Consumption @ 100 psig (l/min)	1981

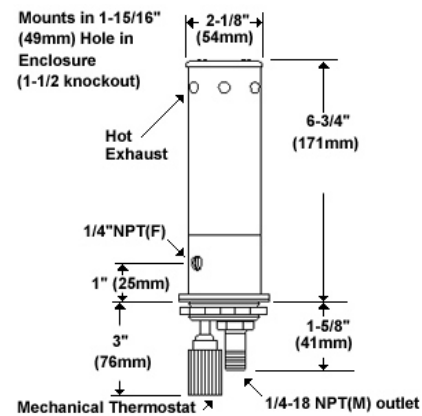


2.4 Nema 4 Vortex Coolers (IP56) with Mechanical Thermostat

Provide NEMA 4 protection (Weatherproof, washdown) for outdoor or indoor electronic and electrical cabinets. Mechanical Thermostat Control.

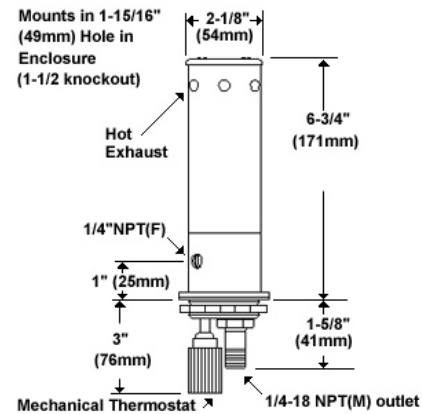
701BSP-15H: Vortex Cooler System (Mechanical Therm) (900 BTU/h)

Model	701BSP-15H
Rating	NEMA 4
Thermostat Option	Mechanical
Cooling Capacity, BTU/hr	900
Inlet, inch	1/4 F BSP (GAS)
Air Consumption @ 100 psig (l/min)	425

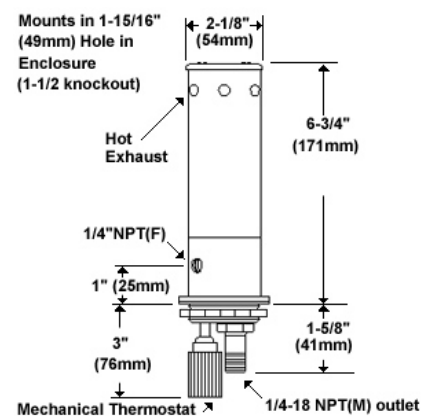


701BSP-25H: Vortex Cooler System (Mechanical Therm) (1700 BTU/h)

Model	701BSP-25H
Rating	NEMA 4
Thermostat Option	Mechanical
Cooling Capacity, BTU/hr	1700
Inlet, inch	1/4 F BSP (GAS)
Air Consumption @ 100 psig (l/min)	708

**701BSP-35H: Vortex Cooler System (Mechanical Therm) (2500 BTU/h)**

Model	701BSP-35H
Rating	NEMA 4
Thermostat Option	Mechanical
Cooling Capacity, BTU/hr	2500
Inlet, inch	1/4 F BSP (GAS)
Air Consumption @ 100 psig (l/min)	991



3 Technical data

Nema 12 Vortex Coolers (IP54)

Model	Rating	Thermostat Option	Cooling Capacity, BTU/hr	Inlet, inch	Air Consumption @ 100 psig (l/min)
711BSP	NEMA 12	On request	400	1/8 F BSP (GAS)	227
711BSP-T	NEMA 12	Electric	400	1/8 F BSP (GAS)	227
721BSP-15H	NEMA 12	On request	900	1/4 F BSP (GAS)	425
721BSP-15H-T	NEMA 12	Electric	900	1/4 F BSP (GAS)	425
721BSP-25H	NEMA 12	On request	1500	1/4 F BSP (GAS)	708
721BSP-25H-T	NEMA 12	Electric	1500	1/4 F BSP (GAS)	708
721BSP-35H	NEMA 12	On request	2500	1/4 F BSP (GAS)	991
721BSP-35H-T	NEMA 12	Electric	2500	1/4 F BSP (GAS)	991
7870BSP	NEMA 12	On request	5000	1/4 F BSP (GAS)	1981
7970BSP	NEMA 12	Electric	5000	1/4 F BSP (GAS)	1981

Nema 4 Vortex Coolers (IP56)

Model	Rating	Thermostat Option	Cooling Capacity, BTU/hr	Inlet, inch	Air Consumption @ 100 psig (l/min)
727BSP-15H	NEMA 4	On request	900	1/4 F BSP (GAS)	425
727BSP-15H-T	NEMA 4	Electric	900	1/4 F BSP (GAS)	425
727BSP-25H	NEMA 4	On request	1700	1/4 F BSP (GAS)	708
727BSP-25H-T	NEMA 4	Electric	1700	1/4 F BSP (GAS)	708
727BSP-35H	NEMA 4	On request	2500	1/4 F BSP (GAS)	991
727BSP-35H-T	NEMA 4	Electric	2500	1/4 F BSP (GAS)	991
7875BSP	NEMA 4	On request	5000	1/4 F BSP (GAS)	1981
7975BSP	NEMA 4	Electric	5000	1/4 F BSP (GAS)	1981

Nema 4X Stainless Steel Vortex Coolers (IP56X)

Model	Rating	Thermostat Option	Cooling Capacity, BTU/hr	Inlet, inch	Air Consumption @ 100 psig (l/min)
727SSBSP-15H	NEMA 4X	On request	900	1/4 F BSP (GAS)	425
727SSBSP-15H-T	NEMA 4X	Electric	900	1/4 F BSP (GAS)	425
727SSBSP-25H	NEMA 4X	On request	1700	1/4 F BSP (GAS)	708
727SSBSP-25H-T	NEMA 4X	Electric	1700	1/4 F BSP (GAS)	708
727SSBSP-35H	NEMA 4X	On request	2500	1/4 F BSP (GAS)	991
727SSBSP-35H-T	NEMA 4X	Electric	2500	1/4 F BSP (GAS)	991
7875SSBSP	NEMA 4X	On request	5000	1/4 F BSP (GAS)	1981
7975SSBSP	NEMA 4X	Electric	5000	1/4 F BSP (GAS)	1981

Nema 4 Vortex Coolers (IP56) with Mechanical Thermostat

Model	Rating	Thermostat Option	Cooling Capacity, BTU/hr	Inlet, inch	Air Consumption @ 100 psig (l/min)
701BSP-15H	NEMA 4	Mechanical	900	1/4 F BSP (GAS)	425
701BSP-25H	NEMA 4	Mechanical	1700	1/4 F BSP (GAS)	708
701BSP-35H	NEMA 4	Mechanical	2500	1/4 F BSP (GAS)	991